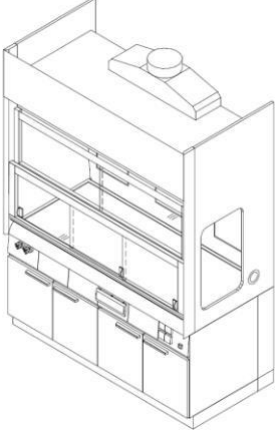


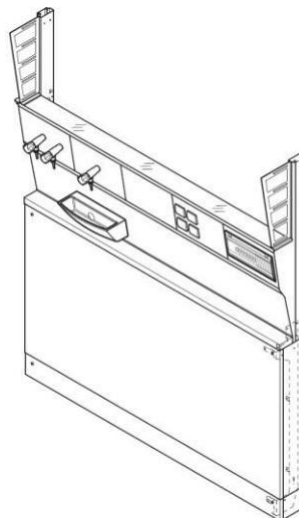
## Description of Items

<b>Name</b>	<b>Low ceiling bench-mounted fume cupboard</b>  
<b>Dimensions</b>	
Width [mm]	1,200 / 1,500 / 1,800 / 2,100
Depth [mm]	900
Height (incl. underbench unit) [mm]	2,400
Clear width, internal work-space [mm]	1,150 / 1,450 / 1,750 / 2,050
Clear height, internal work-space [mm]	1,250
Working height [mm]	900
<b>Intended use</b>	Protective device for the user, tested in acc. with EN 14175 Extraction of fumes, aerosols and dust from the internal workspace, protection from splashes of hazardous substances Protection from flying particles or parts escaping from the internal work-space.

<b>Fume cupboard, upper part</b>	
Components	Carcass and front
Carcass, upper part	Sides and rear panel, 19 mm thick 3-layer flat-press particle board (emission category E1)
Baffle	5 mm solid (grade) laminate with scaffold points and service modules
Ceiling	Dazzle-free lighting Pressure relief
Service panel	Control elements for outlets in the internal workspace integrated on the outside of the support
Service module	Integrated flush in the baffle for service outlets With sink as an option For a width of 1,200 / 1,500 mm: max. 2 modules For a width of 1,200 / 2,100 mm: max. 3 modules
Sash	Attached using toothed belts Double, active anti-slip device Tempered safety glass or laminated safety glass For a width of 1,200 / 1,500 mm: 2 horizontal sashes For a width of 1,200 / 2,100 mm: 3 horizontal sashes
Skylight	Glazed, maximum possible view of the experimental setup Tempered safety glass or laminated safety glass
<b>Internal workspace</b>	
Worktop	Stoneware, polypropylene, stainless steel, epoxy
Internal lining	Melamine, solid (grade) laminate or stoneware (in acc. With EN 14175 stoneware lining is not suitable for breaking down chemicals with hot acids)
Side panel	With melamine, solid (grade) laminate lining: partially glazed as an option, with material lock or with opening With stoneware lining: with material lock as an option
<b>Fume cupboard, lower part</b>	
Supporting construction	Self-supporting underbench unit or steel frame
<b>Type and dimensions</b>	in acc. with EN 14175 and ASHRAE

## Functional monitoring of the fume cupboard (FAZ)

<b>Standard</b>	DIN EN 14175 part 2
<b>Area of application</b>	Electronic monitoring system for the self-monitoring of the ventilation function of a laboratory fume cupboard with a constant extract air volume
<b>Functions</b>	<p>The exhaust air volume is measured using differential pressure measurement. If the value falls below the set minimum extract air volume, this is indicated visually and acoustically.</p> <p>A visual and acoustic alarm is generated if the sash is opened beyond the maximum permitted sash opening (500 mm).</p> <p>In the case of fume cupboards with supportive flow technology, the supportive flow fan is monitored.</p> <p>The supportive flow fan is automatically switched off if the fume cupboard sash is closed or if the extract air system fails.</p>
<b>Signals</b>	Display and control panel for visual and acoustic alarm signals located in the side post of the fume cupboard.
<b>Relay outputs</b>	<p>Operating message (on/off)</p> <p>Alarm message</p>
<b>Control inputs</b>	Daytime operation, night operation, off, alarm acknowledgement

**Name**
**Service spine for wall bench and double bench  
With cantilever as an option, asymmetrical as an option**

**Dimensions**

Width [mm]	600 / 900 / 1,200 / 1,500 / 1,800
Depth [mm]	WT 75 / additional 74 for cantilever DT 92 / additional 105 for each cantilever
Height [mm]	1790
Working height	750 / 900

**Design characteristics**


Intended use	For floor-mounted services supply on wall benches and double benches For depositing reagents and instruments on modular, movable add-on parts
Supporting construction	Two-piece cell pillar made of 2.5 mm steel
Components	Bottom part, upper part and service duct With cantilever as an option
Installation compartment panel	- 4 mm MDF board - cantilever version with 16 mm particle board
Add-on components	Below the worktop: Grid for the accommodation of services for fastening the main pipes Above the worktop: Storage surfaces, suspended cabinets and pillar extensions for fastening to the ceiling at different heights
Splash protection	Below the service duct made of 1.5 mm thick steel Above the service duct made of tempered safety glass
Characteristics	Design versions for genetical engineering areas The cell can be transformed into a normal workplace again

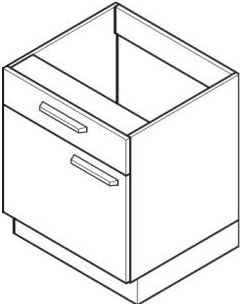
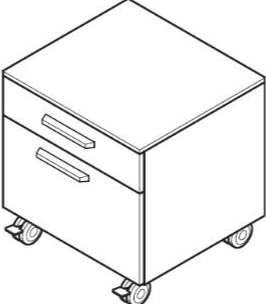
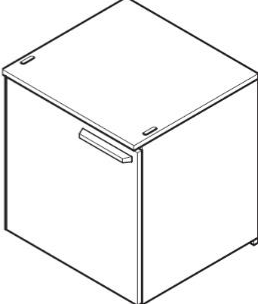
<b>Service duct</b>	
Height [mm]	252
Depth at the upper edge [mm]	110
Material	1.5 mm thick steel, powder-coated
Intended use	For guiding and integrating services supplies and outlet points
Characteristics	Ergonomic 9° inclination for easier handling of the service outlets With integrated rail for the tool-free installation of accessories With clip-in, powder-coated panels (300 x 200 mm) for fitting the service outlets

<b>Pillars</b>	
Height [mm]	390
Material	3 mm thick steel, powder-coated
Intended use	To accommodate additional accessories such as reagent repositories, instrument shelves, and scaffold points (for scaffold poles 12 mm and 13 mm) in 5 levels For lateral support

<b>Reagent repository</b>	
Depth [mm]	150
Material	7 mm raw glass
Intended use	For covering the service duct and as a service pillar accessory

<b>Instrument shelf</b>	
Depth [mm]	300
Material	22 mm OSB board
Intended use	As a service pillar accessory

Name	H-frame	C-frame	Cantilever frames
<b>Dimensions</b>			
Width [mm]	600 / 900 / 1,200 / 1,500 / 1,800		
Depth [mm]	C and H	600 / 750 / 900	
	Cantilever	750 / 900	
Working height [mm] (	750 / 900		
<b>Design characteristics</b>			
Version	H-frame; C-frame; cantilever Bench frame Completely welded without visible joints		
Material	H-frame	Steel tube 60 / 25 / 2	
	C-frame, cantilever	Steel tube 70 / 25 / 3	
	powder-coated		
Load capacity	200 kg		
Equipment	With level feet Worktop materials depending on requirement		

Name	Underbench unit on plinth	Underbench unit on castors	Underbench unit, suspended
			
<b>Dimensions</b>			
Width [mm]	On plinth	450 / 600 / 900 / 1,200	
	On castors	Sinks: 600 / 900 / 1,200 / 1,500 / 1,800	
	Suspended	450 / 545 / 600 / 845 / 900 / 1,145 / 1,200	
Depth [mm]	On plinth	450 / 545 / 600 / 845 / 900 / 1,145 (sinks only) / 1,200	
	On castors	550 (incl. panel 650)	
	Suspended	550	
Working height [mm] (1 – 2 folders high)	On plinth	500 (not for sink)	
	On castors	750 / 900 (for sinks only 900)	
	Suspended	750 / 900 (for sinks only 900)	
Height of plinth/castors [mm]	110		

<b>Design characteristics</b>	
Version	On plinth, on castors or suspended Suspended underbench units can be moved grid-independently over the entire table length
Material	Carcass and doors 19 mm thick 3-layer flat-press particle board (emission category E1)
	Rear panel for underbenches on plinth 4 mm MDF board
	Rear panel with underbench units on castors or suspended units 10 mm thick 3-layer flat-press particle board (emission category E1)
	Shelves 19 mm thick 3-layer flat-press particle board (emission category E1) from a width of 900mm with additionally pressed-on reinforcing strip (aluminum)
Handle	Handle bar made of aluminium U handle made of stainless steel
Load capacity of shelf [kg]	30
Total load capacity of suspended underbench unit [kg]	60
Equipment	<ul style="list-style-type: none"> <li>- With hinged doors</li> <li>- With drawers incl. soft stop (fully extensible, in the case of underbench units on castors with change-pull-out catch)</li> <li>- With full-height drawer</li> <li>- With swivel door</li> <li>- With ventilation connection</li> </ul>

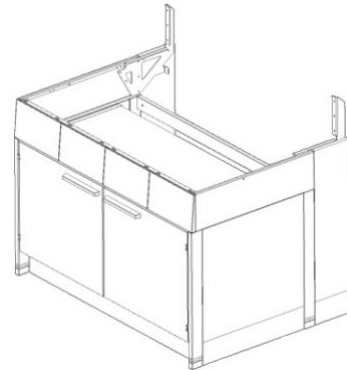
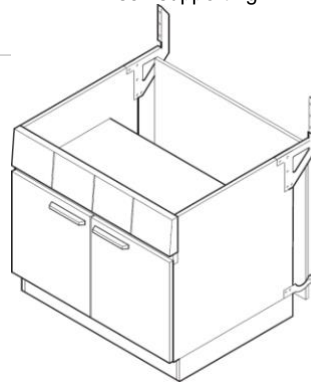


**Name**

**Underbench on plinth for rear panel installation**

self-supporting

push-in



Area of application

Underbench units for bench-mounted fume cupboards with rear panel installation

**Dimensions**

Width [mm]	Self-supporting	600 / 900 / 1,200
	Push-in	545 / 600 / 845 / 900 / 1,145 / 1,200
Depth [mm]	Self-supporting	550 / 672 incl. side panel
	Push-in	550
Height [mm]	Self-supporting	820 (incl. plinth and panel)
	Push in	640 (incl. plinth)
Working height [mm]	900	
Height of plinth [mm]	110	
Service panel height [mm]	175	

**Design characteristics**

Version	Self-supporting on plinth or mobile for moving into a steel frame	
Material	Carcass and doors	19 mm thick 3-layer flat-press particle board (emission category E1)
	Rear panel	4 mm MDF board
	Shelves	19 mm thick 3-layer flat-press particle board (emission category E1) from a width of 900mm with additionally pressed-on reinforcing strip (aluminum)
Handle	Handle bar made of aluminium U handle made of stainless steel	
Load capacity of shelf [kg]	30	
Equipment	With hinged doors With ventilation connection	